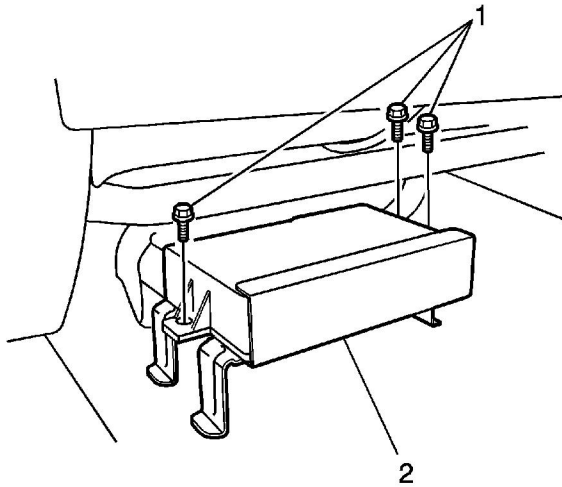


Communication Interface Module Replacement

Removal Procedure

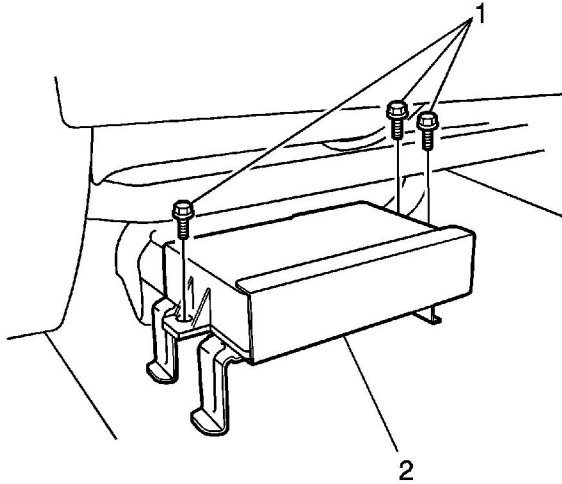
Warning: Refer to [Battery Disconnect Warning](#) in the Preface section.



Note: The vehicle communication interface module (VCIM) has a specific set of unique numbers that tie the module to each vehicle. These numbers, the 10-digit station identification and the 11-digit electronic serial number, are used by the National Cellular Network and OnStar® to identify the specific vehicle. Because these numbers are tied to the vehicle identification number of the vehicle, you must never exchange these parts with those of another vehicle.

1. Disconnect the battery ground cable.
2. Disconnect the electrical connectors from the communication interface module which is located on the bottom of the driver seat.
3. Slide the driver seat forward.
4. Remove the bolts (1) and remove the communication interface module cover (2) from the seat rear side.

Installation Procedure



1. Position the vehicle communication interface module (2) in the vehicle.

Caution: Refer to [Fastener Caution](#) in the Preface section.

2. Install the bolts (1) and tighten to **3 N·m (27 lb in)**.
3. Restore the driver seat position.
4. Connect vehicle communication interface module electrical connectors.

Warning: Refer to [Battery Disconnect Warning](#) in the Preface section.

5. Connect the battery ground cable.